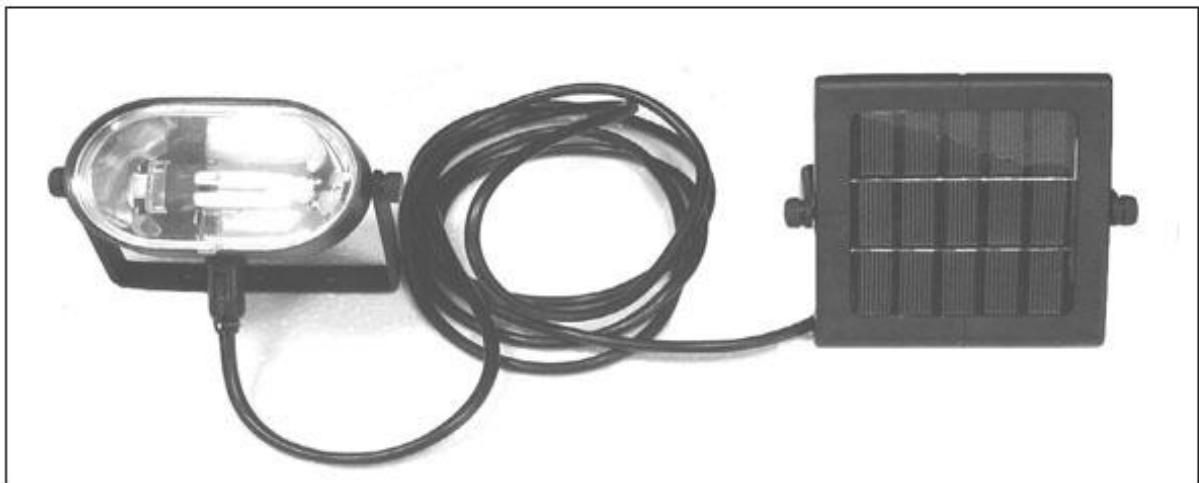


**CHICAGO**  
Electric®

**SOLAR  
SHED LIGHT**

**Model 93244**

**ASSEMBLY & OPERATING INSTRUCTIONS**



Due to continuing improvements, actual product may differ slightly from the product described herein.

3491 Mission Oaks Blvd., Camarillo, CA 93011  
Visit our Web Site at [www.harborfreight.com](http://www.harborfreight.com)

Copyright© 2005 by Harbor Freight Tools®. All rights reserved. No portion of this manual or any artwork contained herein may be reproduced in any shape or form without the express written consent of Harbor Freight Tools.

For technical questions and replacement parts please call 1-800-444-3353.

## SPECIFICATIONS

The Solar Shed light requires no outside wiring and can be easily mounted on all types of sheds-wood, metal or plastic.

| ITEM                      | DESCRIPTION                                            |
|---------------------------|--------------------------------------------------------|
| Solar Panel Dimensions    | 4-1/4" H x 4-7/8" W (Square Cell)                      |
| Power Supply              | 4 "AA" rechargeable batteries (1.2 VDC, 900-MAH Ni-CD) |
| Solar Panel Mounting Dim. | 4-1/4"H x 4-7/8"W                                      |
| Solar Light Dimensions    | 5-1/2"W x 3-11/16"H x 3" Deep                          |
| Light                     | 6W Fluorescent Tube ("U" Type)                         |

## SAVE THIS MANUAL

You will need the manual for the safety warnings and precautions, assembly instructions, operating and maintenance procedures, parts list and diagram. Keep your invoice with this manual. Write the invoice number on the inside of the front cover. Keep the manual and invoice in a safe and dry place for future reference.

## SAFETY WARNINGS AND PRECAUTIONS

**WARNING:** When using product, basic safety precautions should always be followed to reduce the risk of personal injury and damage to equipment.

**Read all instructions before using this product!**

1. **Keep work area clean.** Cluttered areas invite injury.
2. **Observe work area conditions.** Keep work area well lit. Position the Solar Shed Light panel in an unobstructed area that receives sunlight at least six hours a day.
3. **Check for damaged parts.** Before using any product, any part that appears damaged should be carefully checked to determine that it will operate properly and perform its intended function. Check for any broken or damaged parts and any other conditions that may affect its operation. Replace or repair damaged or worn parts immediately. Do not use the Solar Shed Light if any switch does not turn on and off properly.
4. **Replacement parts and accessories.** When servicing, use only identical replacement parts. Use of any other parts will void the warranty.
5. **Always check hardware and assembled parts after assembling.** All connections should be tight and hardware tightened.
6. **Keep children away.** Children must never be allowed in the work area. Do not let them handle the Solar Light.
7. **Dress properly.** Protective, electrically nonconductive clothes and nonskid footwear are recommended when setting up the Solar Shed Light. Wear restrictive hair covering to contain long hair.
8. **Use eye protection.** Always wear ANSI approved impact safety goggles when setting up this product.

9. **Maintain products with care.** Keep the Solar Shed Light clean for better and safer performance. Inspect the Solar Shed Light periodically and, if damaged, have it repaired by an authorized technician.
10. **Do not overreach.** Keep proper footing and balance at all times.
11. **Use the right Solar Light for the job.** Do not attempt to force a small Solar Light to do the work of a larger Solar Light. There are certain applications for which this Solar Shed Light was designed. Do not modify these products and do not use this Solar Light for a purpose for which it was not intended.
12. **Do not set up the Solar Shed Light if under the influence of alcohol or drugs.** Read warning labels on prescriptions to determine if your judgement or reflexes are impaired while taking drugs. If there is any doubt, do not set up the Solar Light.
13. **Keep the Solar Panel free of dirt, dust and grime. Dust covering the Solar Panel will block out sunlight causing a decrease or stoppage of efficiency in recharging the batteries.**

**WARNING:** NiCd batteries and Light Tubes must be disposed of properly. Do not incinerate. Batteries and Lights may burst, causing personal injury and/or property damage. Contact your local hazardous waste disposal authority for proper disposal.

**WARNING:** The warnings, cautions, and instructions discussed in this instruction manual cannot cover all possible conditions and situations that may occur. It must be understood by the operator that common sense and caution are factors which cannot be built into this product, but must be supplied by the operator.

### Unpacking

When unpacking the Solar Shed Light, check to make sure parts on page 8 are included. If any parts are missing or broken, please call HARBOR FREIGHT TOOLS at 1-800-444-3353.

### Assembly/Operation

Your Solar Shed Light will require installation. The Solar Shed Light requires special conditions for set up and operation. It is important that you read the entire manual to become familiar with the product BEFORE you use the Solar Shed Light. Before operating this product be sure that you have all parts described in the Parts List and Assembly Diagram located on page 8 of this manual.

1. If you do not have experience or have not done wiring of this type before, contact a qualified electrician to install the Solar Shed Light.
2. Decide where you want to place the Solar Shed Light and Solar Panel. The Solar Panel assembly must be set in a location that receives full, direct sunlight a minimum of six hours a day. The Solar Shed Light and Solar Panel assembly must be installed within 8' of each other to allow for the Cord (18) connection.
3. The Solar Panel assembly will need to charge for at least 6 hours before using it for the first time.

4. The Shed Light can be mounted with Screws (22). First position the Solar Panel assembly in the desired spot in the out-of-doors where it can charge with sunlight. Place the Solar Panel no more than 8' from where the Shed Light will be used. Using the Bracket (1) on the Solar Panel as a template, mark the location on the wall where the Screws (22) and Anchors (21) will be used for mounting. See Figure 1.
5. Use an awl or drill to set the Screw path. Beware of any electrical lines in the drilling pathway. Do not insert the Screws (22) all the way. The head of the Screw (22) must stick out a small amount from the wall to allow clearance to mount the Bracket (handle) of the Solar Panel assembly onto the Screws. Choose your location to mount the Solar Light. In the same manor use the Bracket for Lamp (14) as your template and the same hardware. See Figure 1.

Note: If the Light unit is passing from the outside to the inside of the Shed, take into consideration the clearance needed for the Cord (18) and if the Light is to be mounted for indoor lighting. The Bracket (14) can be removed by unscrewing the Screws (7) on the sides of the Solar Light so it can be used as a hand held device.

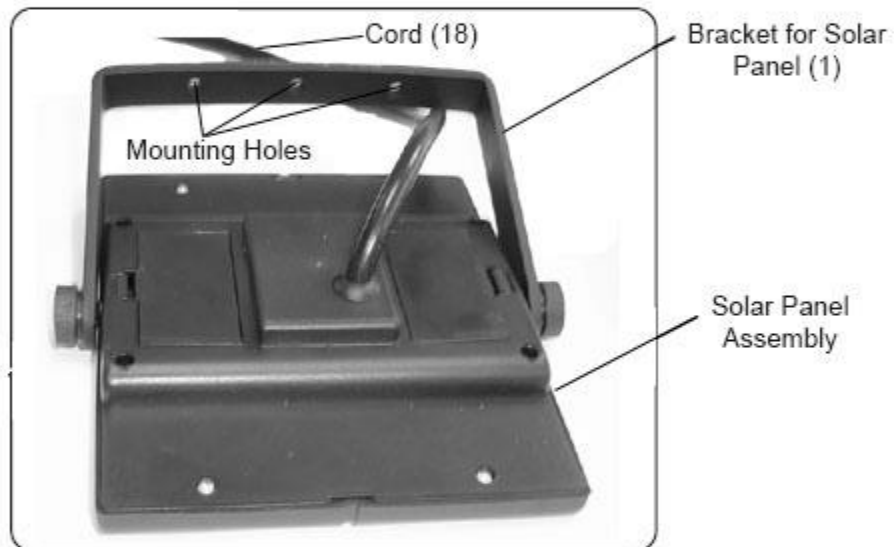


Figure 1

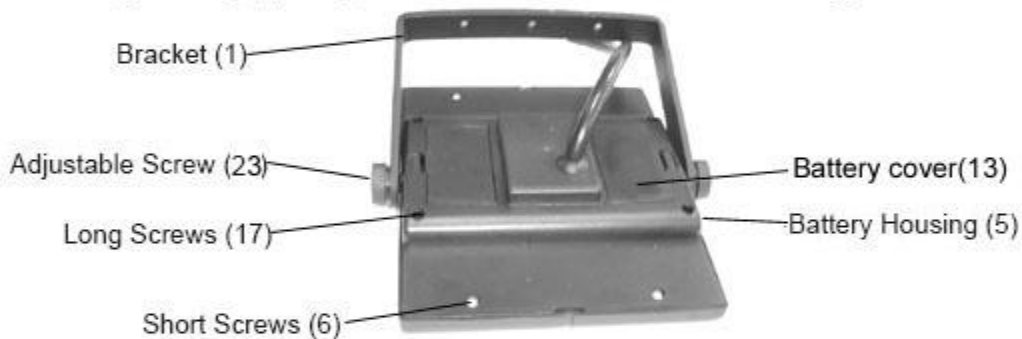
6. Mount the Solar Panel to the Shed using the 5/16" Screws (22). When using Anchors (21) drill holes just a bit bigger than the Anchors (5/16"). Tap Anchors in with a hammer. Note: If attaching to the shed roof, you may need to use roofing cement to maintain roof waterproofing. The Solar Panel must be set in a location that receives full, direct sunlight a minimum of six hours a day. Turn on the Shed Light On/Off Switch (12) on the back of the Light Housing (8) and tilt the Panel to catch the sun's rays. See Figures 1 & 2.
7. After the initial charge is set, check to see that the Shed Light is on by viewing the light at night or in a dark location. If the Light (10) is not lit, check the position of the "ON" Switch (12). The Shed Light can be turned "ON" by manually pressing the Switch (12) on the back of the Light Housing (8).

**Note:** During the day, the Solar Panel (2) converts sunlight into electricity, recharging the battery. The amount of light the Solar Panel receives depends on placement of the Solar Light Panel assembly, geographic location and weather. If the weather is cloudy and the Panel did not receive a full charge, the Solar Panel assembly may not achieve the full operating time. It will catch up on its own after two to three days of full sun.

### Replacing the Batteries

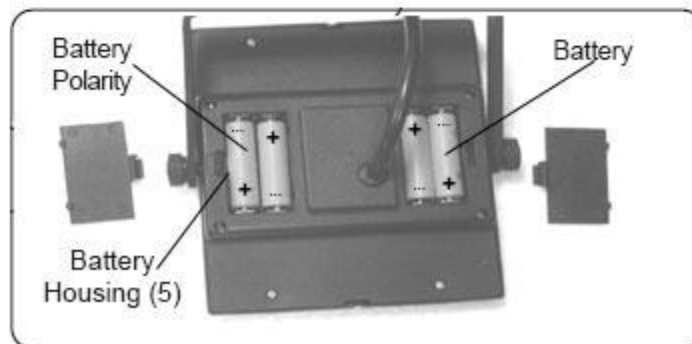
It is recommended that you replace the batteries every 12 months. Before performing any maintenance on the Solar Shed Light, make certain that the Switch (12) on the back of the Solar Light is in the "OFF" position.

1. Place the Solar Panel assembly on a flat, uncluttered surface. Remove the Bracket (1) from the Solar Panel by turning the Adjustable Screws (23) counterclockwise. Set Bracket and Screws aside. **See Figure 2.**
2. Using a screwdriver (not provided), remove the Battery Housing (5) from the Solar Panel assembly by removing the 4 long Screws (17) and the 4 short Screws (6). Set hardware carefully aside and lift Battery Housing (5) away from Solar Panel (2). Turn over the Battery Housing (5) being careful not to pull or crimp wires. **See Figure 3.**



**Figure 2**

3. Remove the old batteries (note the polarity position of the old batteries). Make certain that the new batteries are "AA" (1.2-VDC, 900-MAH Ni-CD) rechargeable. Install the new batteries into the Battery Housing (5). Make certain that the batteries are placed according to the correct polarity marked on the batteries. **See Figure 3.**  
**Note:** Negative (-) is against the spring. Make sure the batteries stay in the grooves. Be very careful not to crimp the wires. Replace the Solar Panel (2). The long Screws (17) go in the middle of the Panel and the 4 short Screws (6) are to be placed in the outer edge of the Panel. **See Figure 3.**



**Figure 3**

4. Replace the Bracket (1) to the Solar Panel assembly using the Adjustable Screws(23)on each side of the Battery Housing (5). Turn Screws clockwise until tight. Hang Solar Panel assembly back up in your desired location for charging.

### Replacing the Light Tube

Before performing any maintenance on the Solar Shed Light, make certain that the switch on the Shed Light is in the "OFF" position (located on the back of the Light Housing (8) and that the Light Tube (10) has had time to completely cool off.

1. Remove the Lens (11) from the Shed Light by lightly squeezing it and gently lifting on the tab and pulling it off. *See Figure 4.*
2. Gently grasp the old Light Tube (10). Turn it so that the pins at the end of each end of the light are in line with the slot so that it can be pulled out. Pull out the old Light Tube. Dispose of it according to warnings on page 7. *See Figure 4.*

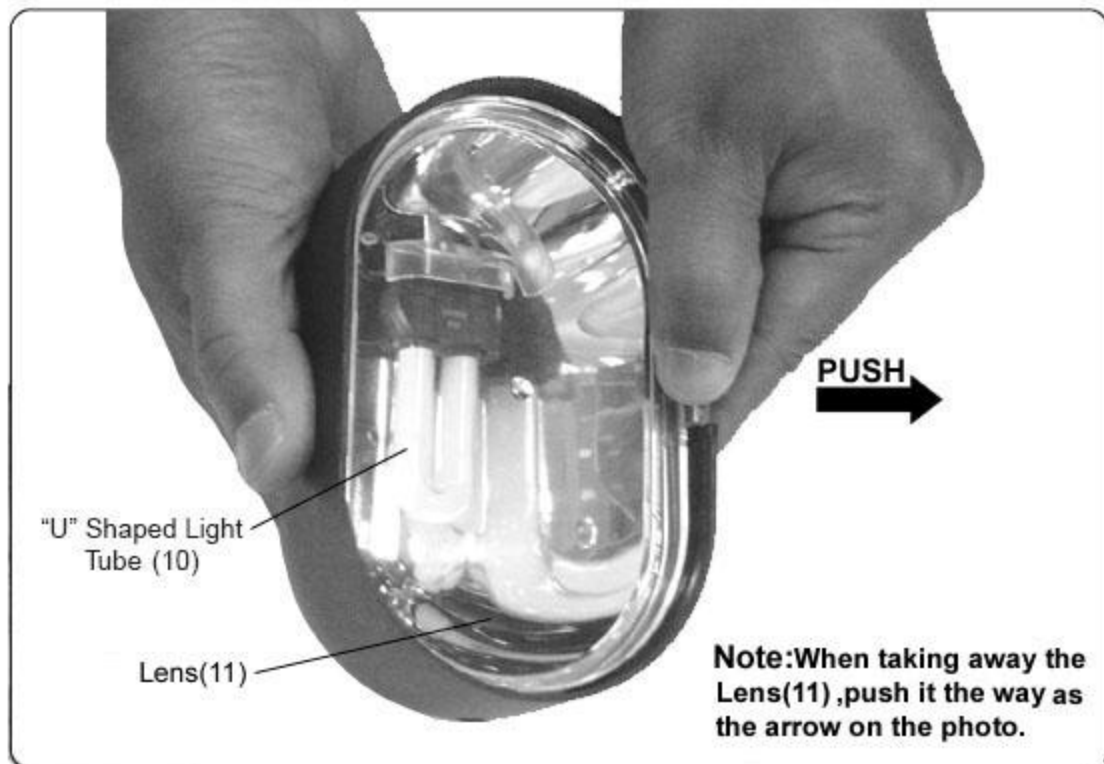


Figure 4

3. Make certain that the light is replaced with an identical Light Tube (10) with a "U" shape and a two-pin connection. Insert the pins into the slot on the Reflector (9). Twist the Light Tube until it locks into place. Do not force it into place. Replace the Lens (11). Snap shut.  
**See Figure 5.**

**Caution:** Light Tubes (10) are fragile and can easily break. Be careful when discarding bulbs.

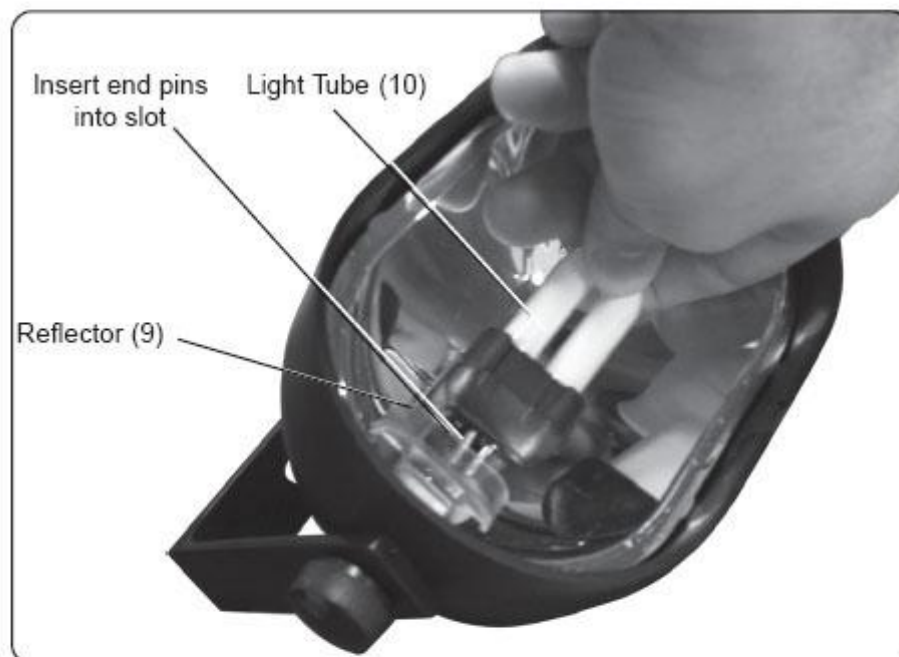


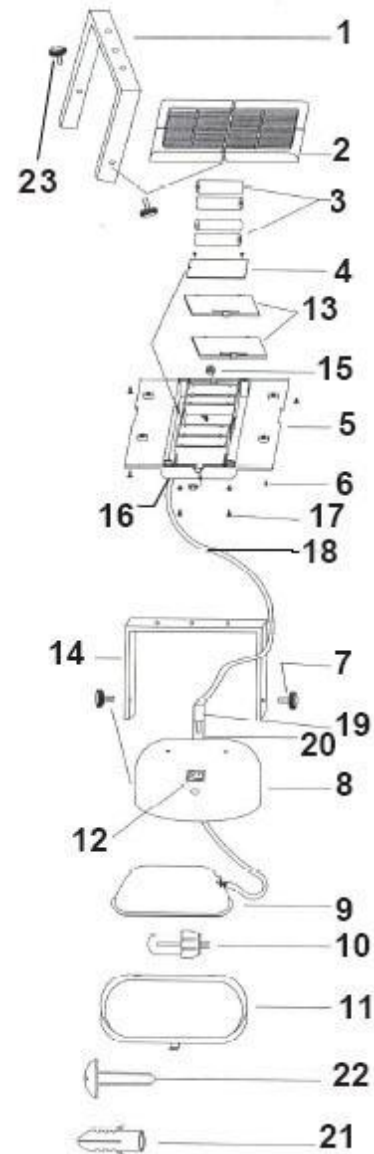
Figure 5

#### **Maintenance**

1. Clean regularly with a damp towel. Do not use any type of solvent for cleaning. Do not put too much pressure on the light or components while cleaning. Dry thoroughly.

## PARTS IDENTIFICATION LIST

| PART # | DESCRIPTION                  | QTY |
|--------|------------------------------|-----|
| 1      | Bracket for Solar Panel      | 1   |
| 2      | Solar Panel                  | 1   |
| 3      | Battery                      | 4   |
| 4      | Circuit Board                | 1   |
| 5      | Battery Housing              | 1   |
| 6      | 3 x 6 Screw (short screw)    | 4   |
| 7      | Adjustable Screw M6 & Nut M6 | 2   |
| 8      | Light Housing                | 1   |
| 9      | Reflector                    | 1   |
| 10     | Light Tube                   | 1   |
| 11     | Lens                         | 1   |
| 12     | Switch                       | 1   |
| 13     | Battery Cover                | 2   |
| 14     | Bracket for Lamp             | 1   |
| 15     | Nut M5                       | 2   |
| 16     | "O" Ring                     | 1   |
| 17     | Screw 3 x 12 (long screw)    | 4   |
| 18     | Cord 1                       | 1   |
| 19     | Connector (includes Screws)  | 1   |
| 20     | Connector Set on Lamp        | 1   |
| 21     | Anchors                      | 6   |
| 22     | Screw                        | 6   |
| 23     | Adjustable Screw M5          | 2   |



**PLEASE READ THE FOLLOWING CAREFULLY**

THE MANUFACTURER AND/OR DISTRIBUTOR HAS PROVIDED THE PARTS DIAGRAM IN THIS MANUAL AS A REFERENCE TOOL ONLY. NEITHER THE MANUFACTURER NOR DISTRIBUTOR MAKES ANY REPRESENTATION OR WARRANTY OF ANY KIND TO THE BUYER THAT HE OR SHE IS QUALIFIED TO MAKE ANY REPAIRS TO THE PRODUCT OR THAT HE OR SHE IS QUALIFIED TO REPLACE ANY PARTS OF THE PRODUCT. IN FACT, THE MANUFACTURER AND/OR DISTRIBUTOR EXPRESSLY STATES THAT ALL REPAIRS AND PARTS REPLACEMENTS SHOULD BE UNDERTAKEN BY CERTIFIED AND LICENSED TECHNICIANS AND NOT BY THE BUYER. THE BUYER ASSUMES ALL RISK AND LIABILITY ARISING OUT OF HIS OR HER REPAIRS TO THE ORIGINAL PRODUCT OR REPLACEMENT PARTS THERETO, OR ARISING OUT OF HIS OR HER INSTALLATION OF REPLACEMENT PARTS THERETO.