

Group 8

Tiller

SS-2423 Gearbox seal w/ sleeve, for 1400, 1400K, RS1500B,
RS1600A, 1600FA, 1601 tillers. Replaces 195081-13770 (A)

S-14251 Gearbox seal w/ sleeve RS1200, RS1300, RSK1303, (A)
RS1403, RS1404, RS1504; RSB-1402, 1502, 1602
Repl. 195100-14251

35x55x8TC Input shaft seal RS1200, RS1400 (B)
Repl. 194420-24340 & 195100-12430

45x62x9TC Input shaft seal RS1500B, RS1600 (B)
RS1601 Replaces 24423-456209
& 195080-12290

40x62x8TC Input shaft seal RC1503K (B)
Repl. 195220-13360

6204-2RS Ball bearing (C)

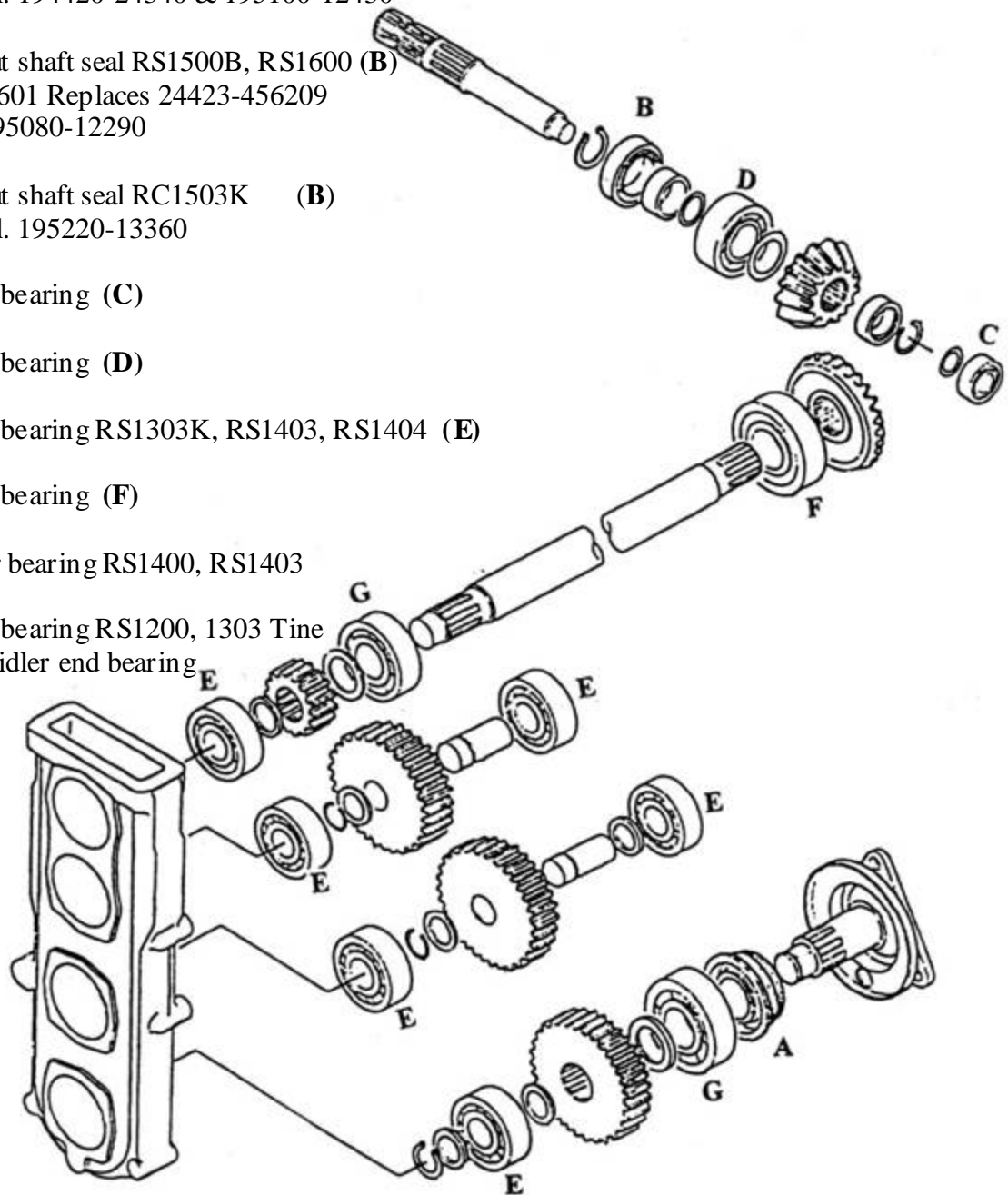
6207-2RS Ball bearing (D)

6306-2RS Ball bearing RS1303K, RS1403, RS1404 (E)

6308-2RS Ball bearing (F)

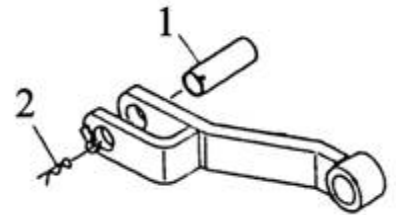
6208-2RS Idler bearing RS1400, RS1403

6207-2RS Ball bearing RS1200, 1303 Tine
bar idler end bearing



P-5260

Tiller bracket pin for RC1503 & RC1503K tillers
on 1601 and 1610 tractors
Replaces 195260-17370 (1) & includes hair pin (2)
(old # 195230-17340)

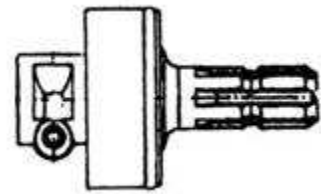


TP-5230

Oil filler plug – plastic; common to most
Yanmar tillers Repl. 195230-12190



OR-660 Over-running clutch, quick disconnect
1-3/8" 6 spline X 1-3/8" 6 spline



TT-510 Tiller tine – LH – 12mm bolt (Mdls 1400 & up)
Replaces 195107-18510

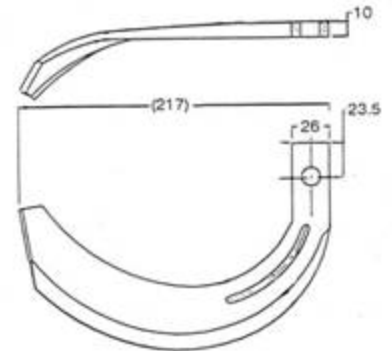
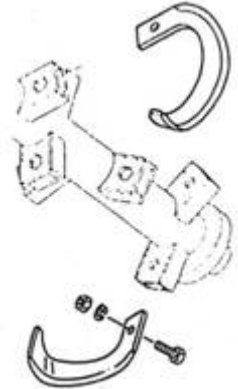
TT-520 Tiller tine – RH – 12mm bolt
Replaces 195107-18520

TT-534L **SET of 34** tiller tines, 17 each TT-510 & TT-520

M12X30 Cap screw, hex head, plated (10 per package)

M12LW Washer, lock, plated, 12mm (10 per package)

M12NUT Nut, hex, plated, 12mm (10 per package)



TT-970 Tiller tine – LH – 10mm bolt (Mdls 1300 & below)
Replaces 195187-14970 & 195107-18310

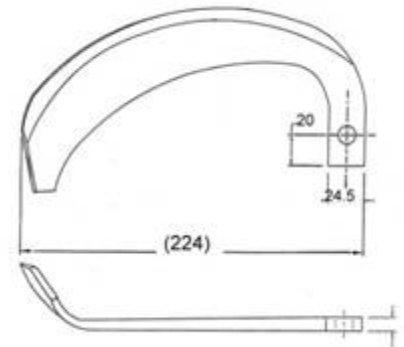
TT-980 Tiller tine – RH – 10mm bolt
Replaces 195187-14980 & 195107-18320

TT-932S **SET of 32** tiller tines, 16 each TT-970 & TT-980

M10X30 Cap screw, hex head, plated (10 per package)

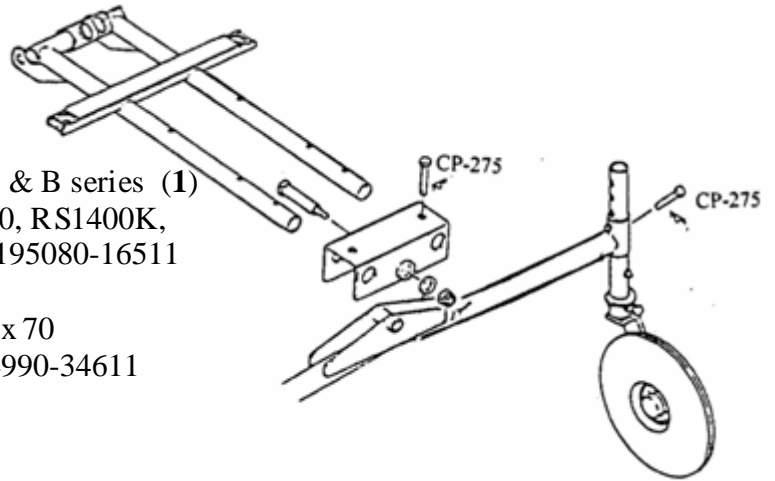
M10LW Washer, lock, plated, 10mm (10 per package)

M10NUT Nut, hex, plated, 10mm (10 per package)



THB-1400 Tiller hitch bar RC1500 A & B series (1)
RS1200, RS1300, RS-1400, RS1400K,
RS1500B, RS1600 Repl. 195080-16511

CP-275 Tiller bar pin w/ clip – 10 x 70
Repl. 195131-16380 / 194990-34611



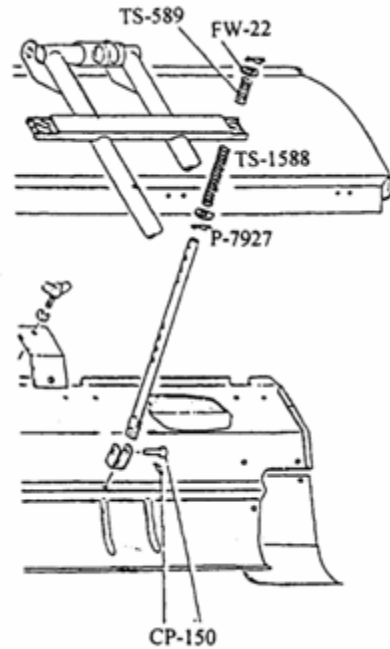
P-7927 Hair pin clip – 5mm dia.

FW-22 Flat washer
Repl. 22137-220000

TS-589 Short spring rod spring
Repl. 195214-15890

TS-1588 Long spring rod spring
Repl. 195214-15880

CP-150 Spring rod pin w/ clip
Repl. 195088-15880



P-7927 Hair pin clip- 3/16" (5mm) x 3-1/2" oal
Special design for tiller spring rod – slightly
open (as shown) with extended straight pin and
27mm finger pull hole Repl. 195214-15870

